

# EDCON-COMPONENTS



## Technical Discription

Temperature Range: ABS= -40°C ~ +85°C

PC= -40°C ~ +120°C

Protection Degree IP66-67

Screw Type Enclosure

EDCON Terminal Boxes are some type has knock outs of 21mm on both surfaces and others have holes.

The latter type is ready to use without additional processing.

**This Box has two Holes for Knoch-out. Diameter Hole one 21mm Hole two 21mm.**

This Box has 6Pos Terminal Block.



**Terminal Box Waterproof  
75x97x43mm**

Part No.: **H19013**

Customer:

DRW:	Jason	CHKD	Wilson	MATL:	Wilson	TOLERANCE	Mason	DATE	12.02.2010
APPD:	Schumi			FINISH	Jamy		Sheet No.	1 from 4	

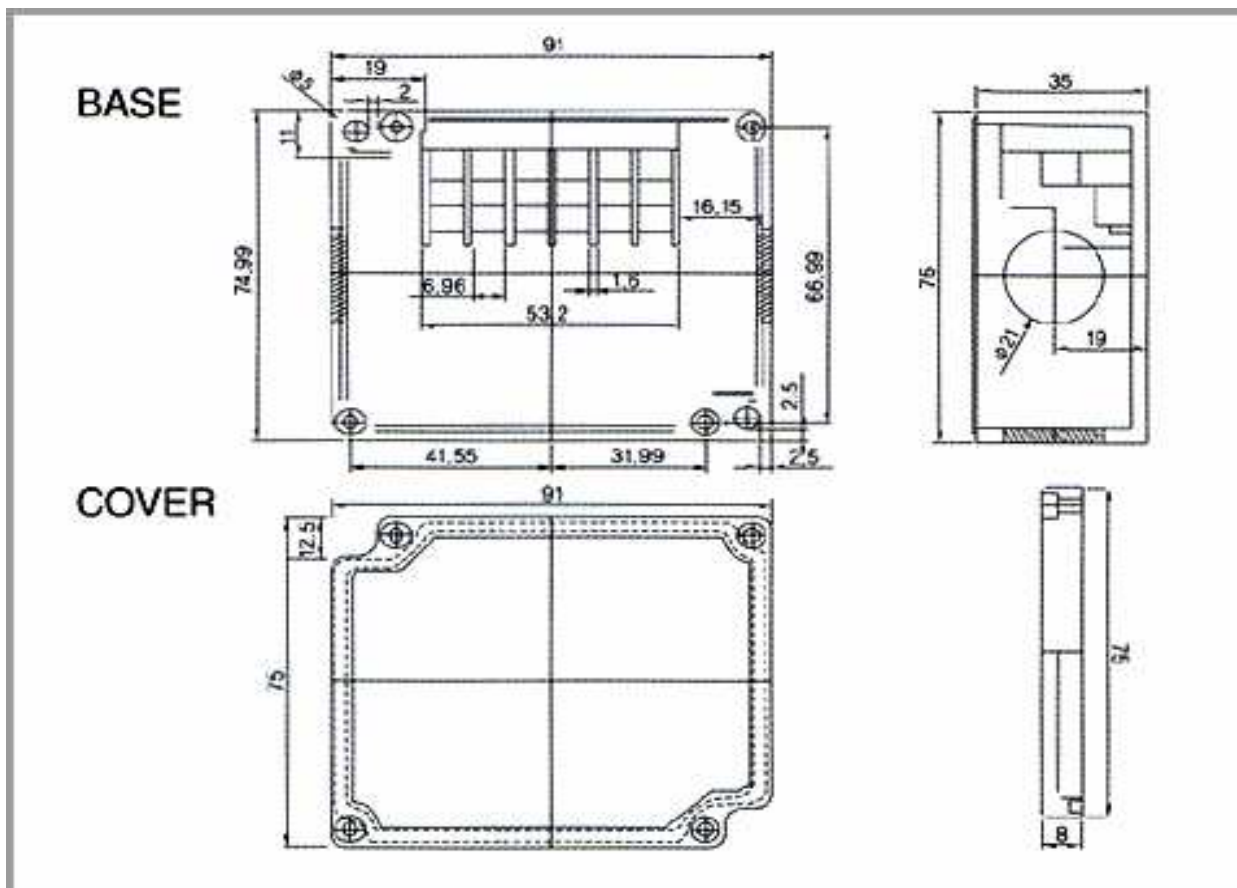
[www.edcon-components.com](http://www.edcon-components.com)

email: [info@edcon-components.com](mailto:info@edcon-components.com)

# EDCON-COMPONENTS



## Technical Drawing



**Terminal Box Waterproof  
75x97x43mm**

Part No.: **H19013**

Customer:

DRW:	Jason	CHKD	Wilson	MATL:	Wilson	TOLERANCE	Mason	DATE	12.02.2010
APPD:	Schumi			FINISH	Jamy		Sheet No.	2 from 4	

[www.edcon-components.com](http://www.edcon-components.com)

email: [info@edcon-components.com](mailto:info@edcon-components.com)

# EDCON-COMPONENTS



## Ordering Informations

Serie	Material Base	ROHS	Packing							
-------	---------------	------	---------	--	--	--	--	--	--	--

<b>H19013</b>	<b>AB</b>	<b>R</b>	<b>S</b>							
---------------	-----------	----------	----------	--	--	--	--	--	--	--

<b>AB=</b> ABS (Blue-Gray)	<b>R=</b> ROHS Conform	<b>S=</b> Standard Packing
<b>AG=</b> ABS (Gray)	<b>N=</b> NON ROHS Conform	<b>I=</b> Individual Packing
<b>PB=</b> PC Beige		

<b>Terminal Box Waterproof 75x97x43mm</b>	
Part No.:	<b>H19013</b>
Customer:	

DRW:	Jason	CHKD	Wilson	MATL:	Wilson	TOLERANCE	Mason	DATE	12.02.2010
APPD:	Schumi			FINISH	Jamy		Sheet No.	4 from 4	

[www.edcon-components.com](http://www.edcon-components.com)

email: [info@edcon-components.com](mailto:info@edcon-components.com)